

### Supasave Angle Bead (45mm Flange)

A strong, resilient and cost effective bead designed for two coat applications. Supasave generates a true, straight corner which provides strength and protection from everyday knocks.

Code	Qty /Box	Length (mm)	Use
SS2.40	50	2400	ⓘ
SS3.0	50	3000	ⓘ

### Architrave Bead

A bead which may be used to decorative effect where shadow lines are aesthetically desirable. Typical applications include the creation of clean divisions between varying wall finishes, at wall and ceiling abutments, door and window reveals and other built in joinery features.

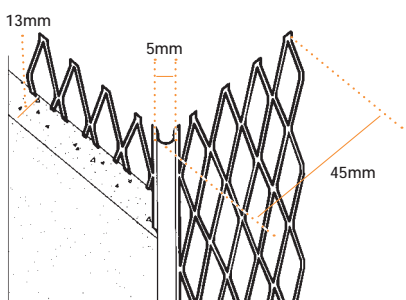
Code	Qty /Box	Length (mm)	Plaster depth	Use
ARC10/WF/3.0 x25	25	3000	10mm with flange	ⓘ
ARC10/WO/3.0 x25	25	3000	10mm without flange	ⓘ
ARC13/WF/3.0 x25	25	3000	13mm with flange	ⓘ
ARC13/WO/3.0 x25	25	3000	13mm without flange	ⓘ

### Depth Gauge Bead

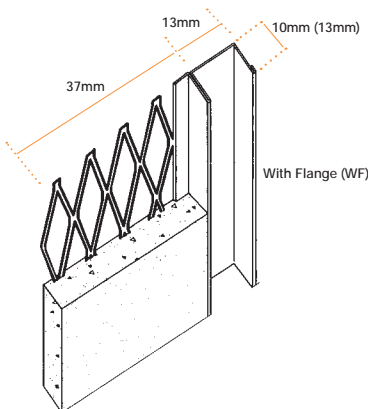
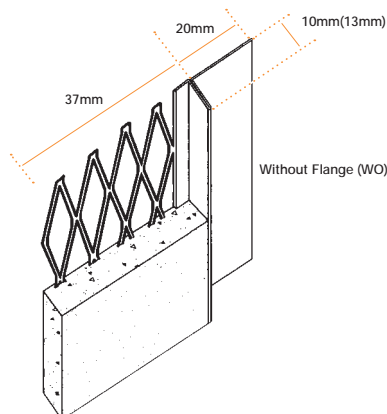
Available in 6mm and 10mm profiles, Depth Gauge Beads provide a quick and accurate means of ensuring consistent, minimum plaster depths as plaster is simply 'ruled off' to leave the required thickness. Depth Gauge Beads may also be used to separate plaster areas and as a skirting bead.

Code	Qty /Box	Length (mm)	Plaster depth	Use
DG6/3.0	50	3000	6mm	ⓘ
DG10/3.0	50	3000	10mm	ⓘ

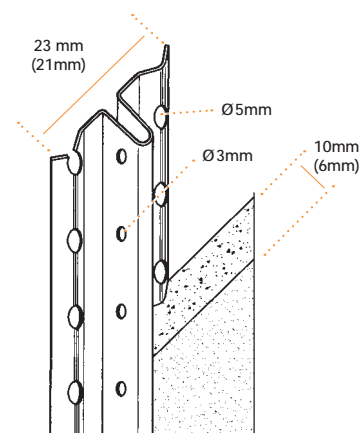
All Depth Gauge Bead made to order.



Plaster depth – 13mm  
Flange width – 45mm  
Galvanized steel to  
BSEN 10327-DX51D+Z275



**ARC13/WF/3.0 x25 & ARC13/WO/3.0 dimensions in brackets.**  
Plaster depth – 10mm & 13mm  
Flange width – 37mm  
Galvanised Steel to  
BSEN 10327-DX51D+Z275



**DG6/3.0 dimensions in brackets.**  
Plaster depth – 6mm, 10mm  
Galvanized steel to  
BSEN 10327-DX51D+Z275